



Industrial Lobe Pumps

SERIES SLA, SLB, SLC, SLD, SLE,  
SLF, SLG, SLH  
STAINLESS STEEL CONSTRUCTION

Section	288
Page	288.1
Issue	C

## Viking SL Industrial Lobe Pump Series

This product brings gentle low shear pumping action with in-line cleaning capabilities to the industrial markets. Rugged enough for corrosive applications; timed rotors protect product integrity while it's modular design, and front end access to mechanical seals makes cleaning and maintenance easy. The SteriLobe®, its sanitary counterpart, continues to be available through the IDEX Sanitary distribution channel.

Viking SL (standard pump)		
①② Flow Range	GPM	To 1014 GPM
	M <sup>3</sup> /Hr	To 230 M <sup>3</sup> /Hr
① Pressure Range	PSI	To 215 PSI
	BAR	To 15 BAR
① Temperature Range	°F	-22 to +300
	°C	-29 to +150
① Viscosity Range	SSU	31 SSU to 500,000 SSU +
	cPs	1 cPs to 110,000 cPs +



Model SLDL Shown

## Major Design Features

- Eight frame sizes offer 15 displacements. Based on rotor length, 8 sizes offer 215 PSI (15 Bar); 7 sizes offer 145 PSI (10 Bar) differential pressure capabilities.
- Positive displacement, rotary lobe pumping principle uses timed, non-contacting rotors.
- Front-loading seals are fully accessible without removing pump from service, simplifying maintenance. DIN 24960 L1K seal housings allow customer's preferred or proprietary seals to be used.
- Industrial design with NPT or flanged ports.
- Suitable for SIP, solvent-flush cleaning and self-draining applications.
- Removable casing for easy strip cleaning.
- Semi-enclosed casing geometry maintains volumetric efficiency, while enabling drainability by chamfering the cusps around the ports.
- Bi-Wing and Multi-Lobe rotors available.
- Shafts are supported by greased tapered roller bearings. Shaft slingers are standard and labyrinth seals optional to prevent gearbox contamination. Oil lubrication optional.
- Rotors are driven by grease-lubricated helical alloy steel timing gears. Oil lubrication optional.
- Direction of flow is reversible. Porting may be vertical or horizontal.
- Bearing housing design allows for radial load capabilities.
- Captive guard design for ATEX and OSHA compliance.
- 316L Stainless Steel wetted parts ensure minimal carbon pull-out.



ATEX Certification available.

- ① Values shown represent minimums or maximums. Some special construction or consideration may be required before a cataloged pump can be applied to an application involving maximum pressure or minimum or maximum temperature and/or viscosity.
- ② Nominal capacities based on handling thin liquids at low pressures.

Section	288
Page	288.2
Issue	C

**SERIES SLA, SLB, SLC, SLD, SLE,  
SLF, SLG, SLH  
STAINLESS STEEL CONSTRUCTION**



Industrial Lobe Pumps

**CONSTRUCTION – SPECIFICATIONS**

**CONSTRUCTION – SERIES SLA, SLB, SLC, SLD, SLE, SLF, SLG AND SLH**

	Casing and Head	Rotors	Gearbox Cover	Bearing Housing Assembly	⑤ Mechanical Seals (2 Required)	⑦ Elastomers	Relief Valve	Mounting Feet
Standard	316L Stainless Steel ASTM A743, Grade CF3M	316L Stainless Steel Bi-wing ASTM A743, Grade CF3M	316L Stainless Steel ASTM A743, Grade CF3M	Coated Cast Iron	Carbon / Silicon Carbide	Viton®	⑥ None	304 Stainless Steel ASTM A743, Grade CF8

*Dimensions for Unmounted Pumps – See Page 288.6.*

**SPECIFICATIONS – SERIES SLA, SLB, SLC, SLD, SLE, SLF, SLG AND SLH**

Model Number	① Port Size	Theoretical Displacement		② Nominal Pump Capacity			Maximum Hydrostatic Pressure		③ Maximum Recommended Discharge Pressure, 100 SSU Liquid		Maximum Temperature		Approximate Shipping weight	
	In.	Gal/Rev	Liters/Rev	GPM	M³/Hr	RPM	PSI	④ BAR	PSI	BAR	Deg. F.	Deg. C.	Lbs.	Kg.
SLAS	3/4	0.010	0.039	12	3	1200	300	20	215	15	300	150	26	12
SLAL	1	0.016	0.059	19	4	1200	300	20	145	10	300	150	33	15
SLBS	1	0.021	0.081	25	6	1200	300	20	215	15	300	150	44	20
SLBL	1 1/2	0.032	0.122	38	9	1200	300	20	145	10	300	150	49	22
SLCS	1 1/2	0.045	0.169	53	12	1200	300	20	215	15	300	150	77	35
SLCL	2	0.067	0.254	80	18	1200	300	20	145	10	300	150	84	38
SLDS	1 1/2	0.093	0.352	93	21	1000	300	20	215	15	300	150	143	65
SLDL	2	0.139	0.528	139	31	1000	300	20	145	10	300	150	154	70
SLES	2	0.193	0.732	155	35	800	300	20	215	15	300	150	273	124
SLEL	3	0.290	1.099	232	53	800	300	20	145	10	300	150	298	135
SLFS	3	0.403	1.524	241	55	600	300	20	215	15	300	150	399	181
SLFL	4	0.604	2.286	362	82	600	300	20	145	10	300	150	452	205
SLGS	4	0.837	3.17	502	114	600	300	20	215	15	300	150	772	350
SLGL	6	1.256	4.754	753	171	600	300	20	145	10	300	150	842	382
SLHS	6	1.691	6.4	1014	230	600	300	20	215	15	300	150	Contact Factory	

① External NPT ports standard on sizes SLAS - SLES. ANSI 150# raised face flange standard on sizes SLEL - SLHS. NPT, ANSI 150# or 300# raised face flange or DIN2633 ND16 available on all sizes.

② Nominal rating based on handling thin liquids. Capacities rounded to the nearest whole number.

③ For maximum recommended discharge pressures at rated speeds or when handling other viscosities and/or speeds, see performance curves. If suction pressure exceeds 50 PSI, consult factory.

④ 1 BAR = 14.5 PSI = 0.1 MPa = 100 kPa = 10<sup>5</sup> Pa.

⑤ Optional mechanical seals available to meet the requirements of industrial or sanitary applications.

⑥ Optional relief valves are available see 288.4 for description.

⑦ Optional elastomers are EPDM, Buna, and Perfluoroelastomer. FDA conforming elastomers available, contact factory.

Viton® is a registered trademark of DuPont Performance Elastomers.



Industrial Lobe Pumps

**SERIES SLA, SLB, SLC, SLD, SLE,  
SLF, SLG, SLH  
STAINLESS STEEL CONSTRUCTION**

<b>Section</b>	<b>288</b>
<b>Page</b>	<b>288.3</b>
<b>Issue</b>	<b>C</b>

**FEATURE OVERVIEW**

**Bearing Housing Assembly -**

Rugged corrosion-resistant housing and double tapered roller bearings allows for radial load.

**O-Ring -**

Provides a durable sealing of the gear housing as well as easy removal and re-assembly.

**Front-Loading Mechanical Seals -**

Allows quick easy in-line maintenance.

**Removable 316L Stainless Casing -**

Suitable for industrial S.I.P. and C.O.P. (strip clean) applications.

**316L Stainless Steel Rotors -**

Bi-Wing (shown) or Multi-Lobe provides gentle fluid movement with no metal-to-metal contact.

**316L Stainless Steel Head -**

O-ring groove provides tight sealing surface.

**Helical Timing Gears -**

Offers higher load and lower noise than spur-type timing gears.

**316L Stainless Steel Gearbox Cover -**

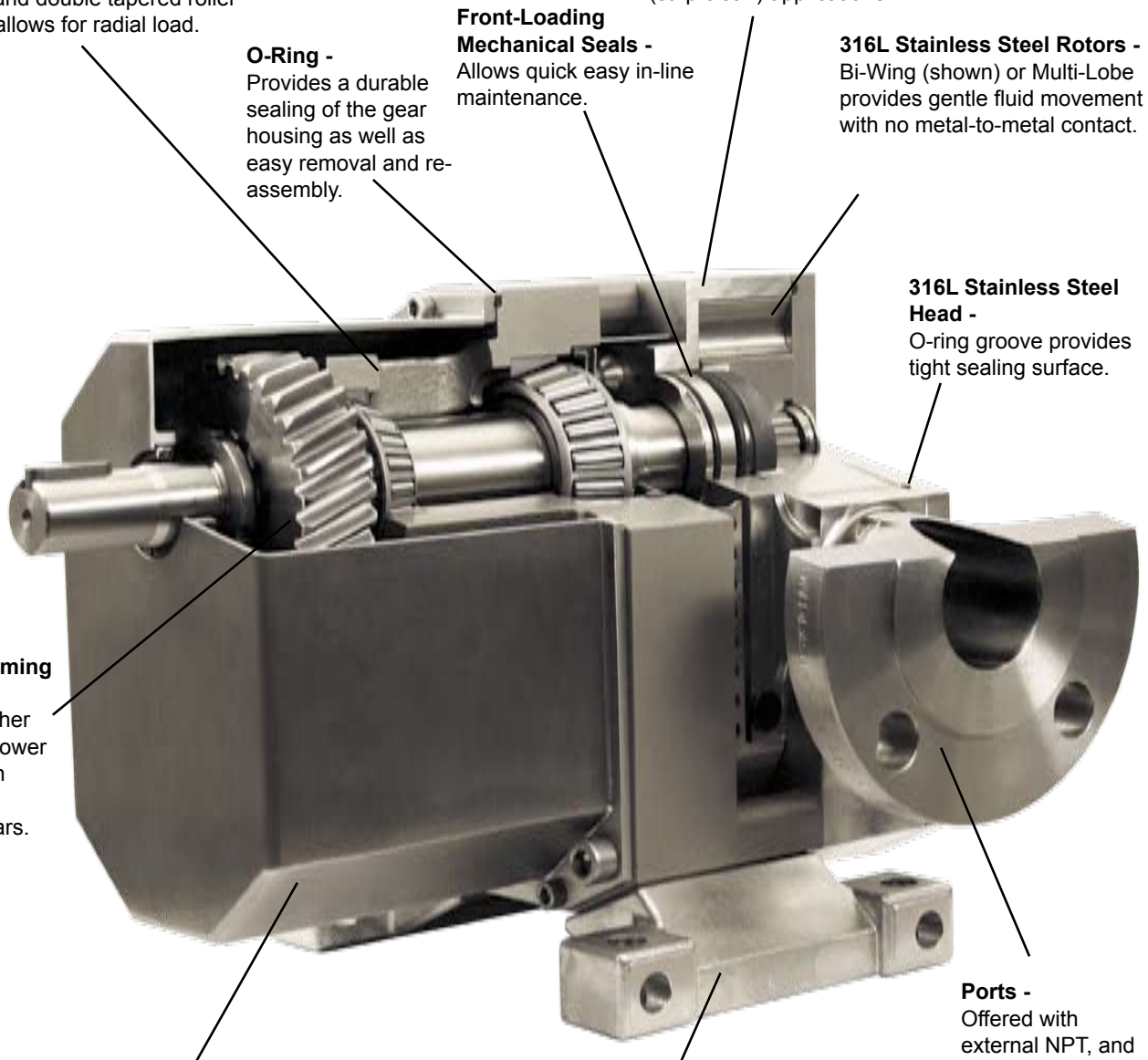
Durable finish with no paint to degrade. Fully contained grease lubricates gear and bearings as standard. Oil bath lubrication optional.

**Universal Mounting -**

Bolt-on feet gives flexibility in mounting the pump for horizontal or vertical plane port location. Self-draining when mounted in vertical orientation

**Ports -**

Offered with external NPT, and flange options.



Section	288
Page	288.4
Issue	C

**SERIES SLA, SLB, SLC, SLD, SLE,  
SLF, SLG, SLH  
STAINLESS STEEL CONSTRUCTION**



Industrial Lobe Pumps

## OPTIONS

### ROTORS

A choice of Bi-Wing or Multi-Lobe rotors are available in 316L Stainless Steel.

Standard operating clearances for the 316L Stainless rotors are set for 300°F (150° C) - suitable for CIP or SIP applications.

### JACKETS - TEMPERATURE & PRESSURE LIMITS

Optional jackets can be located on the head and casing. The temperature and pressure ratings are 300°F (150°C) and 50 PSI (3.4 BAR).

### NOTES:

1. Max. temperature for steam or heat transfer fluids.
2. Optional relief valves cannot be used with jacketed head.

### SURFACE FINISH

The standard machine finish is 0.6 µRA on the inside and 1.6 µRA on the outside.

Some industries may require polished surfaces. Polished internals and/or mirror polish externals are available with special pricing.

### RUN DRY OPERATION

SL industrial lobe pumps can operate in run dry conditions, but a low pressure seal quench or use of double seals with barrier fluid is required.

### STEAM CLEANING

SL industrial lobe pumps have clearances to allow 300°F (150°C) steam cleaning\*. The pumps can be operated during cleaning cycle, but it is preferable to have the pump stopped. If pump is operated, wet steam is preferred to provide some liquid to the seal faces. Viton® is not satisfactory with steam, EPDM is satisfactory to 250°F (120°C), *Some elastomers may have to be replaced after steam cleaning.*

### ALLOWABLE ELASTOMER TEMPERATURE - MIN/MAX

VITON®	-13/392°F	[-25/200°C]
EPDM	-49/248°F	[-45/120°C]
EPDM(FDA)	-58/284°F	[-50/140°C]

### Notes:

1. Some elastomers temperature limits are beyond the pump's catalog limits.
2. FDA conforming EPDM allows a higher temperature range option.

### LUBRICATION

The recommended lubricant is a lithium based, extreme pressure grease suitable for operating temperatures between -22° F and 266° F (-30° C and 120° C) and has a base viscosity approximately 200 cSt at 104° F (40° C). Consult the factory for oil recommendations for optional oil bath lubrication.

### RELIEF VALVE OPTIONS

1. SL industrial lobe pumps are positive displacement pumps and must be provided with some sort of over pressure protection. This may be an optional relief valve mounted directly on the pump, an in-line pressure relief valve, a torque limiting device or a rupture disk.
2. Relief valves are not standard on SL industrial lobe pumps but available options are listed below. These optional pump mounted relief valves will operate in either pumping direction.  
**Spring Loaded** – This is a conventional type relief valve where pressure is relieved from the discharge side of the pump back to the suction side. Relief valve setting may be adjusted.
3. Note that SL industrial pumps may operate in either direction. When using a line mounted pressure relief valve, if pump rotation is reversed during operation, over - pressure protection must be provided on *both* sides of pump.
4. Pressure relief valves should not be used to control pump flow or regulate discharge pressure.

### DRIVE EQUIPMENT

A variety of drive options including gear reducers, gear motors and V-belt drives can be accommodated because of the improved bearing housing design and two tapered roller bearings which will handle radial loads.

\* Contact factory for steam cleaning recommendations



Industrial Lobe Pumps

**SERIES SLA, SLB, SLC, SLD, SLE,  
SLF, SLG, SLH  
STAINLESS STEEL CONSTRUCTION**

<b>Section</b>	<b>288</b>
<b>Page</b>	<b>288.5</b>
<b>Issue</b>	<b>C</b>

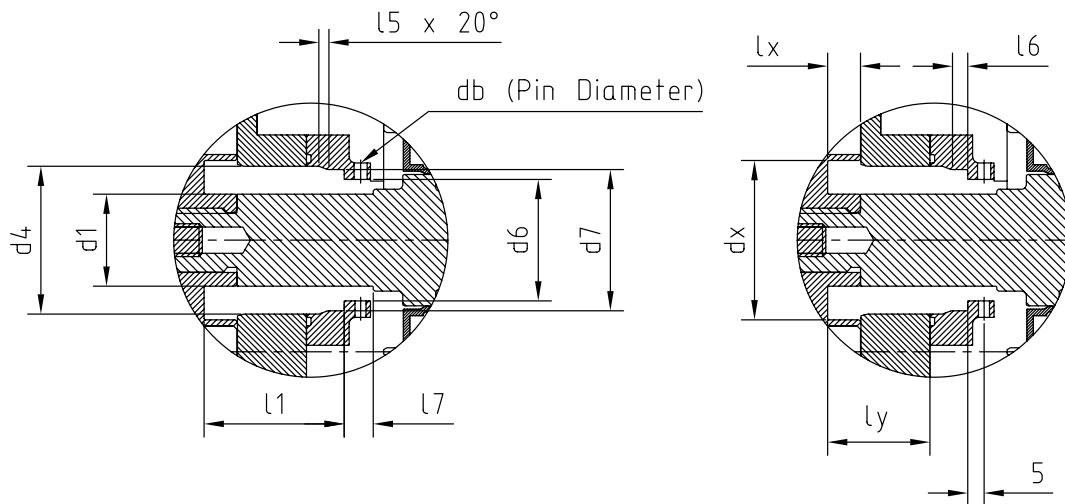
**SEALING OPTIONS**

The SL industrial lobe mechanical seals are fully front loading to improve maintenance downtime. For industrial applications, the optional DIN 24960 L1K seal envelope allows flexibility to use proprietary and contract specified seal vendors.

	<b>Seal Style (2 Required)</b>	<b>Seal Faces</b>	<b>Elastomer</b>
<b>Standard</b>	Single mechanical	Carbon / Silicon Carbide	Viton®
<b>Optional</b>	Single mechanical	Silicon Carbide / Silicon Carbide	Buna --- EPDM --- Viton® --- Perfluoroelastomer
	Single mechanical seal with quench/flush	Carbon / Silicon Carbide Silicon Carbide / Silicon Carbide	
	Double balanced mechanical seals	Carbon / Silicon Carbide (inboard) Carbon / Silicon Carbide (outboard)  Silicon Carbide / Silicon Carbide (inboard) Carbon / Silicon Carbide (outboard)	
	① Single O-ring seals 10,000 SSU maximum	N/A	

① Maximum recommended speed for sizes SLA - SLE is 640 RPM, for SLF is 470 RPM. O-ring sealing not available on SLG or SLHS.

**DIMENSIONS – OPTIONAL DIN 24960 L1K MECHANICAL SEAL BOX**



SL Industrial Lobe DIN Seal Dimensions - mm												
Pump Model	d1	d4	d6	d7	dx	db	l1	l5	l6	l7	lx	ly
<b>SLA</b>	22	38	31	37	39	3	38	1.3	5	9	7	25.4
<b>SLB</b>	28	45	37	43	48.5	3	42.5	2.7	5	9	10	31.1
<b>SLC</b>	38	58	49	56	60.5	4	45	2.7	6	9	12.8	34
<b>SLD</b>	55	80	67	75	83	4	47.5	3.5	6	9	13	38.3
<b>SLE</b>	65	90	77	85	96	4	52.5	5.7	6	10	15.5	40.8
<b>SLF</b>	75	104	88	97	110	4	60	7.6	7	9	19	45.3
<b>SLG</b>	90	119	105	115	125	4	65	5.5	7	9	17	45.4

Section	288
Page	288.6
Issue	C

**SERIES SLA, SLB, SLC, SLD, SLE,  
SLF, SLG, SLH  
STAINLESS STEEL CONSTRUCTION**

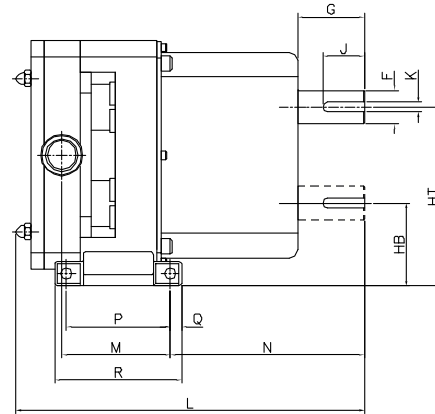
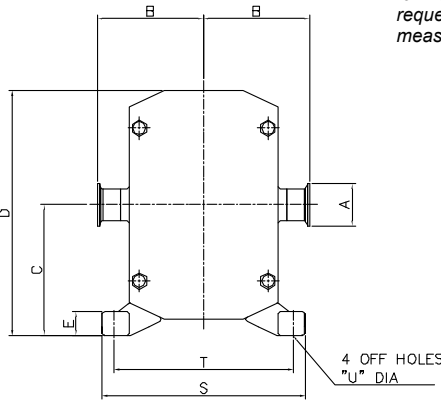


**Industrial Lobe Pumps**

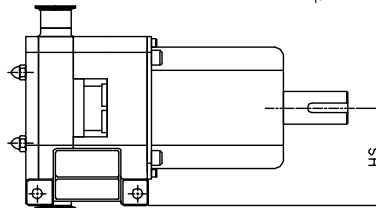
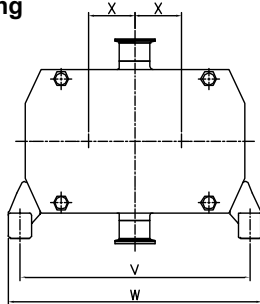
**DIMENSIONS- PUMP ONLY**

*Dimensions given are for guidance only and should not be used for installation purposes. Certified dimensions will be supplied on request. Dimensions are calculated based on millimeters, inch measurements are provided for reference.*

**Horizontal Mounting**



**Vertical Mounting**



Model		A	① B	C	D	E	② F	G	HB	HS	HT	J	② K	L	M	N	P	Q	R	S	T	U	V	W	X
SLAS	IN	3/4	3.27	3.44	6.22	0.87		1.00	2.38	2.93	4.55			9.25	3.31	4.67	2.44	0.43	3.31	5.87	5.04	0.35	6.14	6.93	1.08
	MM		83	87.5	158	22	14	25.5	60.5	74.5	115.5	20	5	235	84	118.5	62	11	84	149	128	9	156	176	27.5
SLAL	IN	1	3.27	3.44	6.22	0.87		1.00	2.38	2.93	4.55			9.61	3.39	4.67	2.44	0.43	3.31	5.87	5.04	0.35	6.14	6.93	1.08
	MM		83	87.5	158	22	14	25.5	60.5	74.5	115.5	20	5	244	86	118.5	62	11	84	149	128	9	156	176	27.5
SLBS	IN	1	3.98	3.98	7.28	0.87		1.40	2.66	3.35	5.33			11.81	3.35	6.85	2.44	0.43	3.31	6.69	5.87	0.35	7.17	7.95	1.34
	MM		101	101	185	22	20	35.5	67.5	85	135.5	35	6	300	85	174	62	11	84	170	149	9	182	202	34
SLBL	IN	1 1/2	4.84	3.98	7.28	0.87		1.40	2.66	3.35	5.33			12.24	3.54	6.85	2.44	0.43	3.31	6.69	5.87	0.35	7.17	7.95	1.34
	MM		123	101	185	22	20	35.5	67.5	85	135.5	35	6	311	90	174	62	11	84	170	149	9	182	202	34
SLCS	IN	1 1/2	5.08	5.08	9.17	1.18		1.81	3.41	4.00	6.75			13.07	4.84	6.40	4.88	0.55	5.98	7.99	6.81	0.51	8.98	10.12	1.67
	MM		129	129	233	30	24	46	86.5	101.5	171.5	30	8	332	123	162.5	124	14	152	203	173	13	228	257	42.5
SLCL	IN	2	5.08	5.08	9.17	1.18		1.81	3.41	4.00	6.75			13.62	5.16	6.40	4.88	0.55	5.98	7.99	6.81	0.51	8.98	10.12	1.67
	MM		129	129	233	30	24	46	86.5	101.5	171.5	30	8	346	131	162.5	124	14	152	203	173	13	228	257	42.5
SLDS	IN	1 1/2	5.47	6.16	11.57	1.14		3.15	3.90	4.78	8.43			16.42	5.10	9.15	4.88	0.55	5.98	9.57	8.43	0.51	11.20	12.34	2.26
	MM		139	156.5	294	29	40	80	99	121.5	214	50	12	417	129.5	232.5	124	14	152	243	214	13	284.5	313.5	57.5
SLDL	IN	2	5.47	6.16	11.57	1.14		3.15	3.90	4.78	8.43			17.17	5.49	9.15	4.88	0.55	5.98	9.57	8.43	0.51	11.20	12.34	2.26
	MM		139	156.5	294	29	40	80	99	121.5	214	50	12	436	139.5	232.5	124	14	152	243	214	13	284.5	313.5	57.5
SLES	IN	2	6.57	7.56	10.24	1.69		3.15	4.80	7.09	10.32			19.45	6.10	10.81	6.69	0.63	7.95	14.17	12.60	0.71	13.94	15.12	2.76
	MM		167	192	260	43	48	80	122	180	262	60	14	494	155	274.5	170	16	202	360	320	18	354	384	70
SLEL	IN	3	6.57	7.56	14.17	1.69		3.15	4.80	7.09	10.32			20.43	6.57	10.81	6.69	0.63	7.95	14.17	12.60	0.71	13.94	15.12	2.76
	MM		167	192	360	43	48	80	122	180	262	60	14	519	167	274.5	170	16	202	360	320	18	354	384	70
SLFS	IN	3	7.68	8.50	16.10	1.69		3.15	5.35	7.52	11.65			22.91	6.99	12.40	6.69	0.63	7.95	15.04	13.46	0.71	15.83	17.01	3.15
	MM		195	216	409	43	50	80	136	191	296	65	16	582	177.5	315	170	16	202	382	342	18	402	432	80
SLFL	IN	4	7.68	8.50	16.10	1.69		3.15	5.35	7.52	11.65			24.25	7.58	12.40	6.69	0.63	7.95	15.04	13.46	0.71	15.83	17.01	3.15
	MM		195	216	409	43	50	80	136	191	296	65	16	616	192.5	315	170	16	202	382	342	18	402	432	80
SLGS	IN	4	8.35	9.88	18.90	1.69		4.25	6.14	7.95	13.62			29.21	8.31	16.50	6.69	0.63	7.95	15.94	14.37	0.71	18.58	19.76	3.74
	MM		212	251	480	43	60	108	156	202	346	90	18	742	211	419	170	16	202	405	365	18	472	502	95
SLGL	IN	6	8.35	9.88	18.90	1.69		4.25	6.14	7.95	13.62			31.30	9.33	16.50	6.69	0.63	7.95	15.94	14.37	0.71	18.58	19.76	3.74
	MM		212	251	480	43	60	108	156	202	346	90	18	795	237	419	170	16	202	405	365	18	472	502	95

① External NPT ports standard on sizes SALS - SLES, 150# flange standard on sizes SLEL - SLGS. "B" Port dimensions shown for standard port arrangement. For "B" dimension for other port options, see page 288.8.

② Metric shaft coupling and key required. Related dimensions (F, J, and K) are shown in metric only.

The SLHS is not shown in these drawings. Refer to 288.7 for dimensions.



Industrial Lobe Pumps

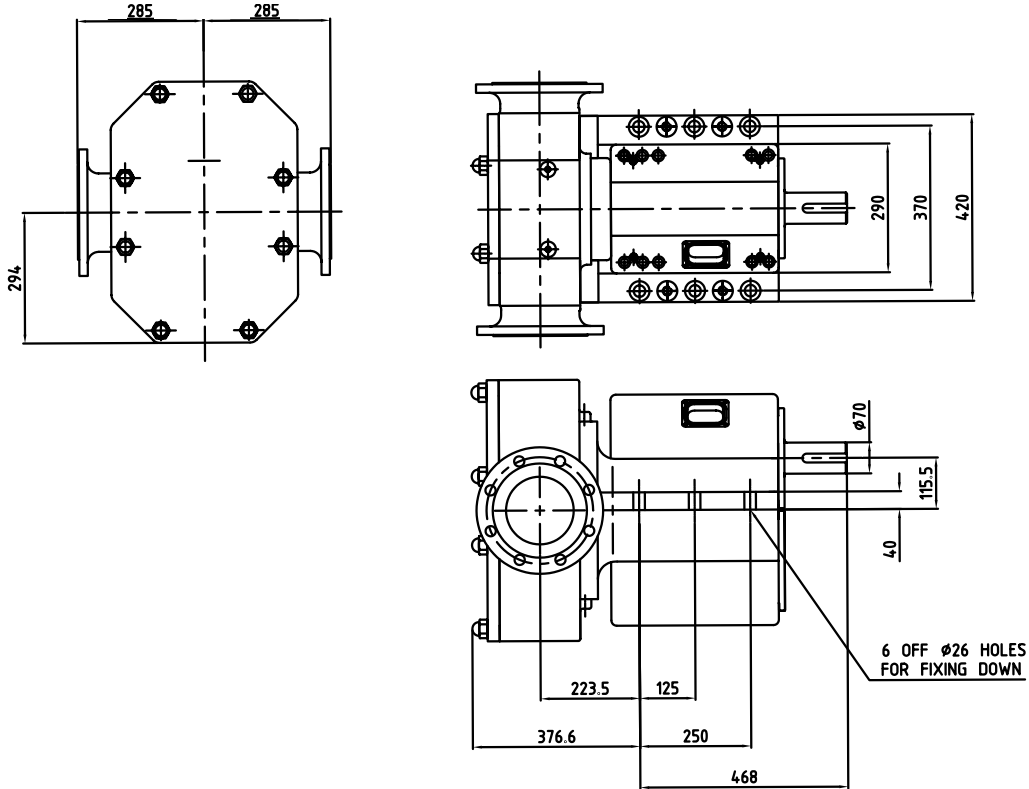
SERIES SLA, SLB, SLC, SLD, SLE,  
SLF, SLG, SLH  
STAINLESS STEEL CONSTRUCTION

Section	288
Page	288.7
Issue	C

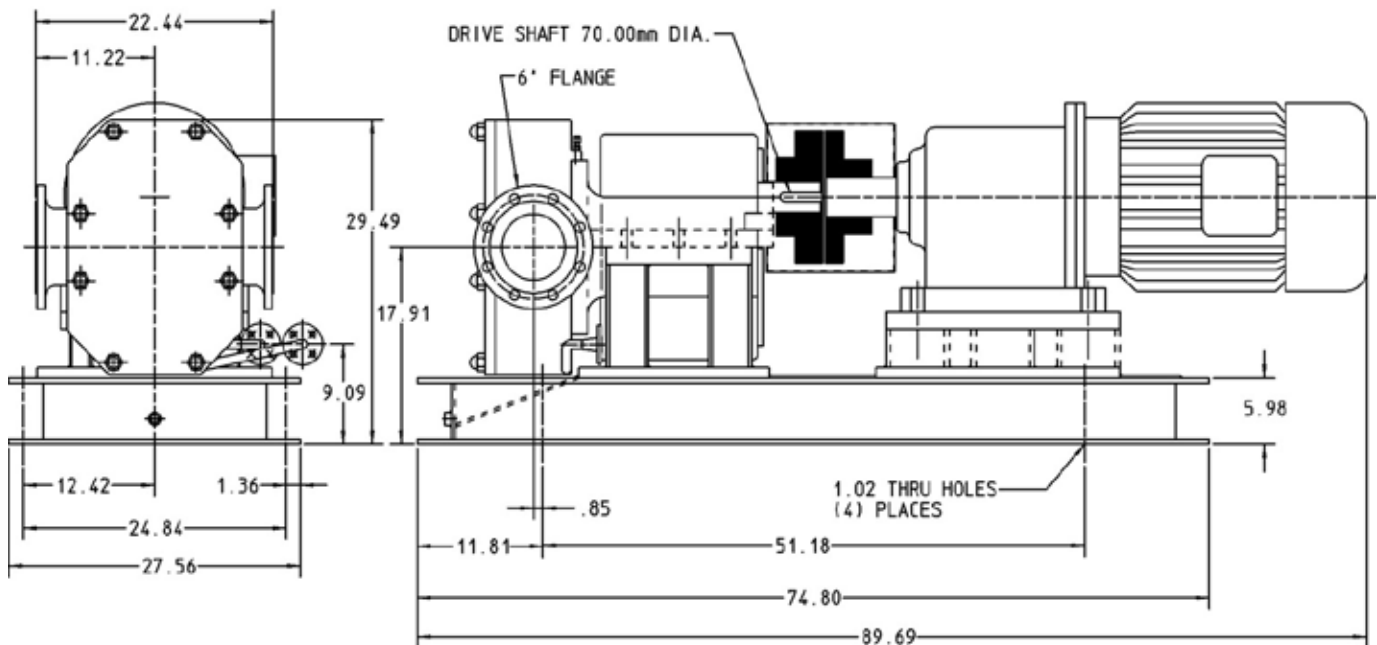
DIMENSIONS FOR SLHS

Dimensions given are for guidance only and should not be used for installation purposes. Certified dimensions will be supplied on request. Dimensions are calculated based on millimeters, inch measurements are provided for reference.

PUMP ONLY (Dimensions in mm)



REPRESENTATIVE UNIT (Dimensions in inches)



Metric shaft coupling and key required.

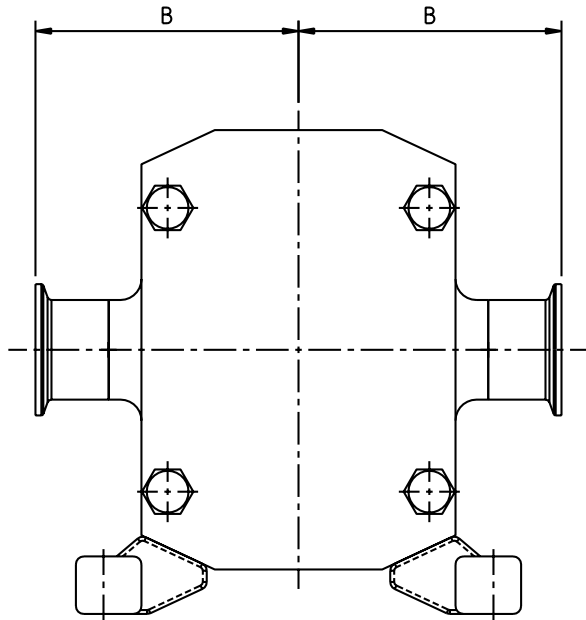
Section	288
Page	288.8
Issue	C

**SERIES SLA, SLB, SLC, SLD, SLE,  
SLF, SLG, SLH  
STAINLESS STEEL CONSTRUCTION**

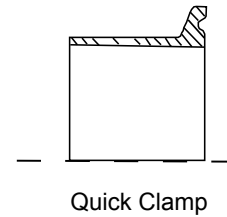
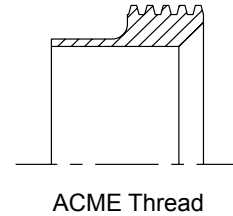
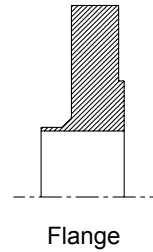


**Industrial Lobe Pumps**

**“B” DIMENSIONS FOR VARIOUS PORT OPTIONS**



*Dimensions given are for guidance only and should not be used for installation purposes. Certified dimensions will be supplied on request. Dimensions are calculated based on millimeters, inch measurements are provided for reference.*



SteriLobe Model	PORT SIZE	“B” Dimension							
		NPT		② 150# Flange (Raised Face)		③ Quick Clamp		③ ACME	
		IN	MM	IN	MM	IN	MM	IN	MM
SLAS	3/4	①3.27	83	3.82	97	2.72	69	N/A	N/A
SLAL	1	①3.27	83	3.82	97	3.27	83	3.27	83
SLBS	1	①3.98	101	4.53	115	3.98	101	3.98	101
SLBL	1 1/2	①4.84	123	4.53	115	3.98	101	3.98	101
SLCS	1 1/2	①5.08	129	4.76	121	4.21	107	4.21	107
SLCL	2	①5.08	129	4.76	121	4.21	107	4.21	107
SLDS	1 1/2	①5.47	139	5.16	131	5.00	127	5.00	127
SLDL	2	①5.47	139	5.16	131	5.00	127	5.00	127
SLES	2	①6.57	167	6.26	159	6.22	158	6.22	158
SLEL	3	6.57	167	①6.57	167	6.22	158	6.22	158
SLFS	3	8.07	205	①7.68	195	6.81	173	6.81	173
SLFL	4	8.66	220	①7.68	195	6.97	177	6.97	177
SLGS	4	9.33	237	①8.35	212	7.64	194	7.64	194
SLGL	6	9.33	237	①8.35	212	7.64	194	N/A	N/A

① Standard port configuration.

② Flanges are standard with raised faces, suitable for use with 150# ANSI stainless steel companion flanges or flanged fittings.

For all other pump dimensions see pages 288.6.



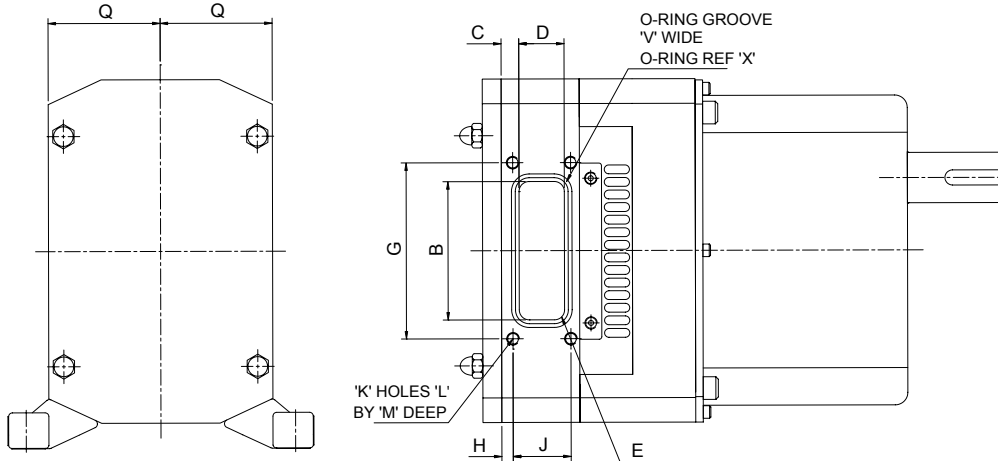
Industrial Lobe Pumps

**SERIES SLA, SLB, SLC, SLD, SLE,  
SLF, SLG, SLH  
STAINLESS STEEL CONSTRUCTION**

<b>Section</b>	<b>288</b>
<b>Page</b>	<b>288.9</b>
<b>Issue</b>	<b>C</b>

**RECTANGULAR PORT DIMENSIONS**

*Dimensions given are for guidance only and should not be used for installation purposes. Certified dimensions will be supplied on request.*



		SLAS	SLAL	SLBS	SLBL	SLCS	SLCL	SLDS	SLDL	SLES	SLEL	SLFS	SLFL	SLGS	SLGL
<b>B</b>	IN	2.52	2.52	2.52	2.52	3.15	3.15	4.33	4.33	5.44	5.44	6.15	6.15	7.41	7.41
	MM	64	64	64	64	80	80	110	110	138	138	156	156	188	188
<b>C</b>	IN	.24	.24	.24	.24	.35	.35	.43	.43	.43	.43	.43	.43	.43	.43
	MM	6	6	8	8	9	9	11	11	11	11	11	11	11	11
<b>D</b>	IN	.45	.45	.59	1.06	.83	1.38	.91	1.65	1.34	2.29	2.21	3.55	3.78	5.87
	MM	11.5	20	15	27	21	35	23	42	34	58	56	90	96	149
<b>E</b>	IN	.2	.2	.2	.2	.32	.32	.32	.32	.32	.32	.32	.32	.32	.32
	MM	5	5	5	5	8	8	8	8	8	8	8	8	8	8
<b>F</b>	IN	1.58	1.58	1.69	1.69	2.01	2.01	2.76	2.76	3.7	3.7	4.26	4.26	4.89	4.89
	MM	40	40	43	43	51	51	70	70	94	94	108	108	124	124
<b>G</b>	IN	3.16	3.16	3.4	3.4	4.03	4.03	5.53	5.53	7.42	7.42	8.52	8.52	9.78	9.78
		3.14	3.14	3.38	3.38	4.01	4.01	5.5	5.5	7.42	7.42	8.52	8.52	9.76	9.76
	MM	80.2	80.2	86.2	86.2	102.2	102.2	140.3	140.3	188.3	188.3	216.3	216.3	248.3	248.3
		79.8	79.8	85.8	85.8	101.8	101.8	139.7	139.7	187.7	187.7	215.7	215.7	247.7	247.7
<b>H</b>	IN	.46	.24	.28	.28	.35	.35	.39	.47	.39	.39	.59	.59	.79	.79
	MM	11.75	6	7	7	9	9	10	12	10	10	15	15	20	20
<b>J</b>	IN	N/A	.8	.68	1.18	.84	1.39	1	1.59	1.43	2.38	1.9	3.24	3.09	5.17
			.78	.66	1.13	.82	1.37	.97	1.56	1.41	2.35	1.88	3.22	3.06	5.15
	MM		20.2	17.2	29.2	21.2	35.2	25.3	40.3	36.3	60.3	48.3	82.3	78.3	131.3
			19.8	16.8	28.8	20.8	34.8	24.7	39.7	35.7	59.7	47.7	81.7	77.7	130.7
<b>K</b>		2	4	4	4	4	4	4	4	4	4	4	4	4	4
<b>L</b>		M6	M6	M8	M8	M8	M8	M10	M10	M12	M12	M16	M16	M16	M16
<b>M</b>	IN	.59	.59	.39	.39	.39	.39	.47	.47	.55	.55	.71	.71	.71	.71
	MM	8	8	10	10	10	10	12	12	14	14	18	18	18	18
<b>Q</b>	IN	1.77	1.77	2.36	2.36	2.62	2.62	3.51	3.51	4.61	4.61	5.2	5.2	5.87	5.87
	MM	45	45	60	60	66.5	66.5	89	89	117	117	132	132	149	149
<b>V</b>	IN	.12	.12	.12	.12	.12	.12	.12	.12	.12	.12	.12	.12	.12	.12
	MM	3	3	3	3	3	3	3	3	3	3	3	3	3	3
<b>X</b>		134	137	137	141	144	150	152	154	156	158	160	160	167	173

Optional adapters from rectangular port to clamp or flange are available.

Section	288
Page	288.10
Issue	C

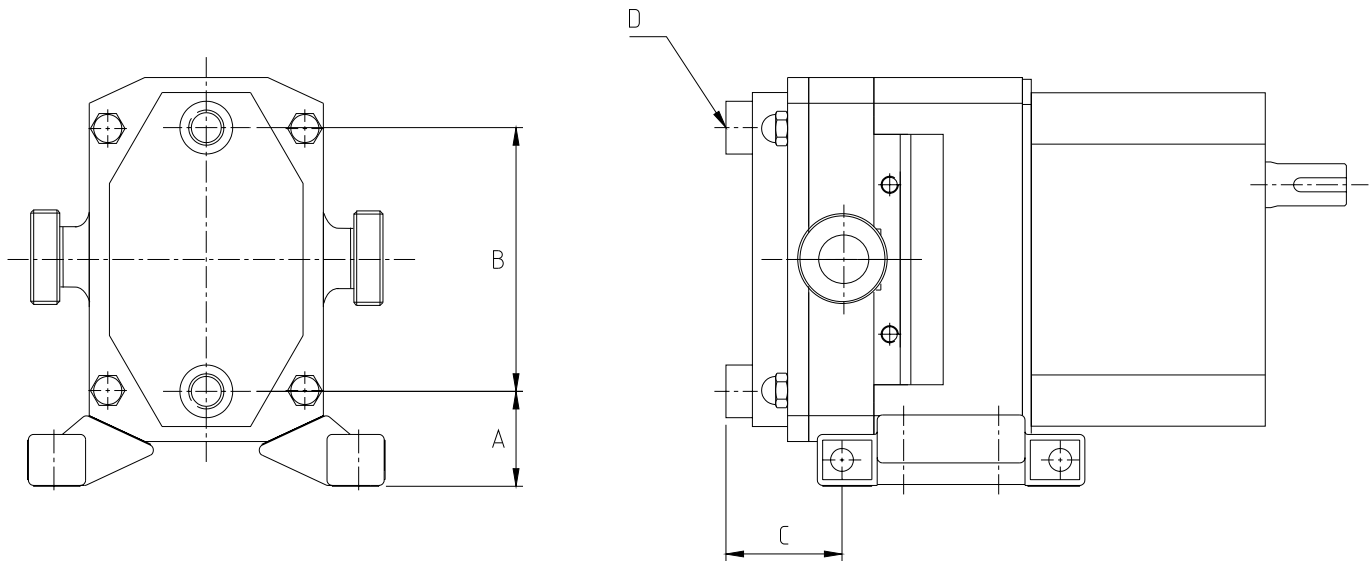
**SERIES SLA, SLB, SLC, SLD, SLE,  
SLF, SLG, SLH  
STAINLESS STEEL CONSTRUCTION**



Industrial Lobe Pumps

**DIMENSIONS FOR JACKETED HEAD**

*Dimensions given are for guidance only and should not be used for installation purposes. Certified dimensions will be supplied on request.*



MODEL	①A	B	C	②D
SLAS	43	90	67.3	1/4" BSP
SLAL			76	
SLBS	46.5	110	83.5	1/2" BSP
SLBL			95.5	
SLCS	54	150	65.9	
SLCL			79	
SLDS	52	210	77	
SLDL			96	
SLES	62	260	67.2	
SLEL			91.2	
SLFS	66	300	102.5	
SLFL			136.5	
SLGS	66	370	154	
SLGL			207	

① Dimensions shown in brackets are millimeters.

② British Standard Pipe internal threads.

For all other pump dimensions see pages 283.6

Maximum temperature for steam or heat transfer liquid: 300°F (150°C). Contact factory for steam cleaning recommendations.

Maximum pressure: 50 PSI (3.5 BAR).

Relief valve cannot be used in combination with jacketed head.



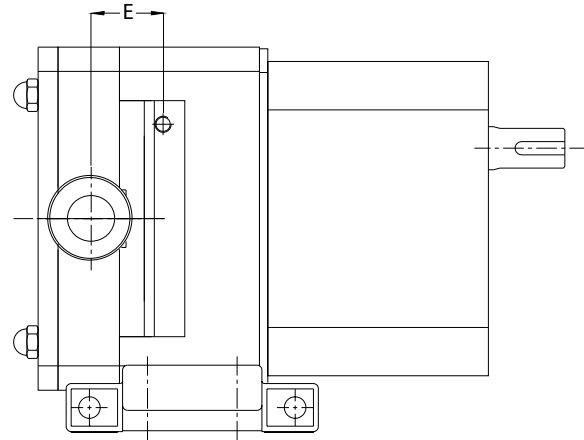
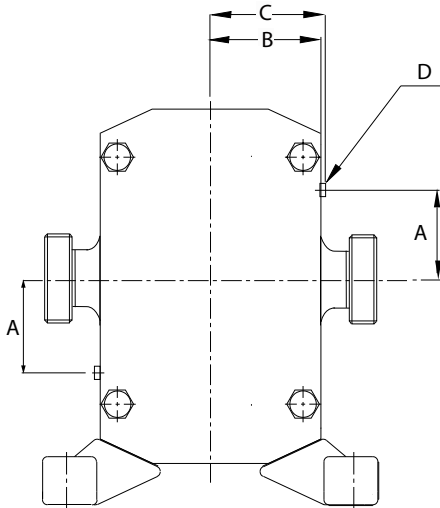
Industrial Lobe Pumps

**SERIES SLA, SLB, SLC, SLD, SLE,  
SLF, SLG, SLH  
STAINLESS STEEL CONSTRUCTION**

<b>Section</b>	<b>288</b>
<b>Page</b>	<b>288.11</b>
<b>Issue</b>	<b>C</b>

**DIMENSIONS FOR CASING – HEATING/COOLING PORTS**

*Dimensions given are for guidance only and should not be used for installation purposes. Certified dimensions will be supplied on request.*



MODEL	①A	B	C	②D	E
SLAS	28	54.5	45	1/8" BSP	37-39
SLAL					41-43
SLBS	42.4	62	60		41-43
SLBL					46-48
SLCS	54.5	70	66.5		44-46
SLCL					52-54
SLDS	65.5	93	89		51-53
SLDL					61-63
SLES	86	95	117		53-55
SLEL					65-67
SLFS	67	102	132		65-67
SLFL					80-82
SLGS	NA				
SLGL					

① Based upon standard port configuration.

② British Standard Pipe internal threads.

Dimensions shown in millimeters.

For all other pump dimensions see pages 283.6.

Maximum temperature for steam or heat transfer liquid: 300°F (150°C). Contact factory for steam cleaning recommendations.

Maximum pressure: 50 PSI (3.5 BAR).

Relief valve cannot be used in combination with jacketed head.

Section	288
Page	288.12
Issue	C

**SERIES SLA, SLB, SLC, SLD, SLE,  
SLF, SLG, SLH  
STAINLESS STEEL CONSTRUCTION**



Industrial Lobe Pumps

**DIMENSIONAL INTERCHANGE REFERENCE CHART**

This chart gives a quick reference to center height and port to port dimensions. The SL Industrial Lobe and DuraLobe® models which have similar mounting dimensions are listed. For complete dimension comparison please refer to the dimensions tables provided in the pump Installation, Operation and Maintenance Manual.

Model	"HT" Dimension Top Shaft Center Height	"HB" Dimension Bottom Shaft Center Height	"C" Dimension Port Height	Port to Port " B " Dimension			
				Flange Connection ①	Optional 150# Raised Face Flange (ASA 150)	NPT, BSPT Threaded Ports	All Other Threaded Connections
SL Series SLA	214	---	---	---	97	83	---
DuraLobe S1	214	---	---	---	121	85	---
SL Series SLC	---	---	---	121	99	129	107
DuraLobe S2	---	---	---	121	121	129	107
SL Series SLD	---	99	156.6	---	---	---	---
DuraLobe S3	---	100	157	---	---	---	---
SL Series SLF	296	136	216	---	---	---	177
DuraLobe S4	296	136	216	---	---	---	178

All Dimensions are calculated in millimeters.

① All flange connections except ASA150, BS4504, ASA300

